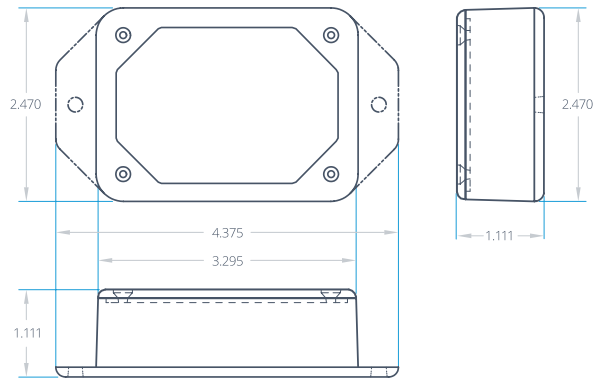


Zenput Ambient Temperature Sensor - 10ft Lead

TECHNICAL SPECIFICATIONS



Accuracy @ 25°C	+/- 1% (1° C or 1.8° F)
User Calibrated Accuracy	+/- 0.25° C (± 0.45° F)
Weight	3.6 oz. (3.7 oz w/ 3' probe)
Probe Operating Temperature Range	-40°C to +125°C (-40°F to +257°F)
Dimension	4.375 in x 2.470 in x 1.12 in
External Lead Length	10 ft (304.8 cm)
Supply Voltage	2.0 - 3.8 V (2 x AA 1.5V Batteries or Optional Power Supply)
Battery Life	Typically last 6-8 years ¹
Max Operating Temperature Using AA Alkaline	-18°C to 55°C (0°F to 130°F)
Max Operating Temperature Using AA Lithium	-40°C to 60°C (-40°F to 140°F)
Optimal Battery Operating Temperature	+10°C to +50°C (+50°F to +122°F)
Enclosure Material	ABS plastic (not waterproofed)
Operating Frequency	Available in 900 MHz, 868 MHz, and 433 MHz
Certifications	Complies with Part 15 of the FCC Rules. (FCC ID: ZTL-G2SC1) Complies with Industry Canada standards. (IC: 9794A-G2SC1)
Device Range	Device Range Up to 1,200 ft. non-line-of-sight, wireless device range ²
Security	Encrypt-RF® (Diffie-Hellman Key Exchange + AES-128 CBC)

¹ Battery life is determined by sensor reporting frequency and other variables. Other power options are also available.

² Actual range may vary depending on environment.

This temperature sensor is not meant for wet, damp, high humidity environments. This sensor should only be operated in dry, low humidity environments. Other sensors are available for wet, damp, and high humidity environments, please contact us for more information.